



For Powerful Digital Marketing and Total Multimedia Solution

DS-6670/T

User's Guide version 1.0

Acknowledgements

The MedeaWiz logo and DS-6670 are trademarks of MedeaWiz Corporation. All other trademarks or registered trademarks are acknowledged as the exclusive property of their respective owners.

Notice

The information contained in this document is subject to change without notice.

MedeaWiz Corporation makes no warranty of any kind with regard to this material, including, but not limited to, the implied warranty of merchantability and fitness for a particular purpose.

MedeaWiz shall not be liable for any errors or for incidental or consequential damages in connection with the furnishing, performance, or use of this material.

All rights reserved. Reproduction, adaptation, or translation of this manual is prohibited without prior written permission of MedeaWiz Corporation, except as allowed under copyright laws.

No part of this document may be photocopied, reproduced, or translated to another language without the prior written consent of MedeaWiz Corporation.

© MedeaWiz Corporation 2004

Table of Contents

1. INTRODUCTION	1
1.1 Package Contents.....	1
1.2 Features (Latest Version HW1.3 & FW1.6, Sept. 2004).....	1
2. SETTING UP YOUR DS-6670.....	2
Step 1. How to program the contents to your CompactFlash® card	2
Step 2. Insert Hi-Speed CompactFlash® Card into DS-6670.....	3
Step 3. Connect your DS-6670 to other display device (optional).....	3
Step 4. Turn on the display device (optional)	4
Step 5. Plug in the power	4
3. USING YOUR DS-6670	5
3.1 Control panel outlook	5
Button Switches	5
Control Switches	6
DIP Switches.....	6
3.2 Using the controls	8
3.3 Mounting mechanism.....	9
4. INTRODUCING DS-6670 ACCESSORIES (OPTIONAL).....	10
4.1 DV-66K, Keypad Controller.....	10
4.2 DV-66U, Universal Controller.....	10
4.3 DV-66F, Function Selector.....	10
5. TOUCH SCREEN SPECIFICATIONS	12
6. DS-6670 SPECIFICATIONS.....	13

1. INTRODUCTION

DS-6670 is a compact and rugged solution that features our reliable DV-66B MPEG-2 Player linked to a crisp 7.0" TFT-LCD. It can be programmed up to 17 minutes of video (with 512MB CF card at 4MBPS CBR), and up to 99 tracks. It is small and light-weighted enough to be wall mounted or integrated into a full size kiosk. DS-6670 provides high quality hardware solution at an affordable price. The unit is available with or without touch panel.

DS-6670 - w/out touch screen feature

DS-6670T - with touch screen, see page 12 for touch screen specification.

1.1 Package Contents

- DS-6670 MPEG-2 Digital Player
- AC adapter
- Four mounting plates



1.2 Features (Latest Version HW1.3 & FW1.6, Sept. 2004)

- 7.0" TFT LCD display
- Touch screen option
- Supports multiple formats: MPEG-2, MPEG-1, VOB, MP3, and JPEG
- Repeat or Menu modes available
- Multiple track selection, up to 99 tracks
- Instant track response
- Stereo audio output and video output
- Auto-play when powered ON
- Auto-mute function available for DS-6670T
- Logo screen customization available upon request

Board-Level Features in addition to section 1.2

- Support S-Video & VGA output
- PIR sensor connection
- 44-pin pitch 2.0mm connection for using 2.5" hard drive
- 6 position in DIP switch for multiple commands
- Support 16:9 file format
- Support RS232 Interface TTL control commands*
- JPEG file display animation

2. SETTING UP YOUR DS-6670

Step 1. How to program the contents to your CompactFlash® card

In order to setup your content to work with the DS-6670 you must have a **high speed CompactFlash®** card. To integrate your media content (MPEG-1, MPEG-2, MP3, or JPEGs) you will need to use a CompactFlash® reader with your computer to load the appropriate files and setup; see programming below for more details.



Connect your card reader to your PC (note: be sure that the card reader driver is installed) and insert the CompactFlash® card (we recommend 128 MB minimum) into the reader. To program your multimedia content on to the media card, open the file manager and copy the files to the card reader drive.

The DS-6670 utilizes a **three-digit numeric ID** system for programming your content tracks, so you will need to number your tracks using this system. Please note that you can keep your track descriptions as well. There are two types of play modes, **MENU** and **REPEAT**, which determine what number is the first track.

For instance, in the **MENU mode the first track is 000**, which is the looping track. For the **REPEAT mode the first track is 001**.

Menu mode: This is the factory default mode. Track 000 is the looping track for your menu file and it will continue to play until another track is selected from a push button or touch screen input device.

To switch from Repeat mode back to Menu mode, please press & hold switch button #1, then plug in the power until the unit start initialing, then the unit will be setup to play files as “menu mode”. Switch button #1 can be located either on the touch screen (if used) or on the DV-66K (keypad controller, sold separately). This procedure only applies to Ver.1.1-1.5. For the latest setting on version 1.6, please refer to the DV-66B user guide.

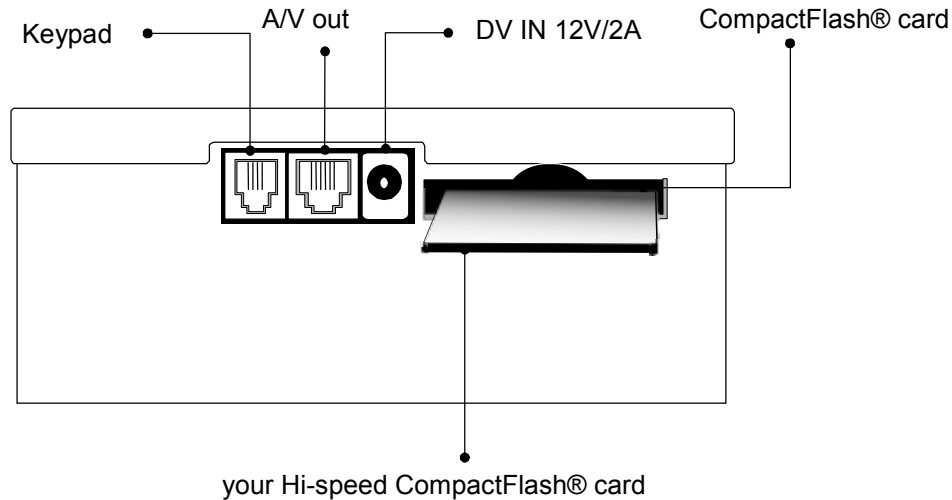
Repeat mode: To change to repeat mode, please press & hold switch button #2 then plug in the power until the unit start initialing (only for Ver.1.1-1.5). Repeat mode will play in sequence, one track at a time in numeric order, and after the last track it will start with track 001 again.

Note:

Setup changes will be saved on the flash memory, so the selection made will not change when the power is OFF. To have the MPEG-1 and MPEG-2 played properly through DS-6670/T player. You need to make sure both MPEG-1 and MPEG-2 have file extension “xxx.mpg” or else the video clips will not be recognized by DS-6670/T.

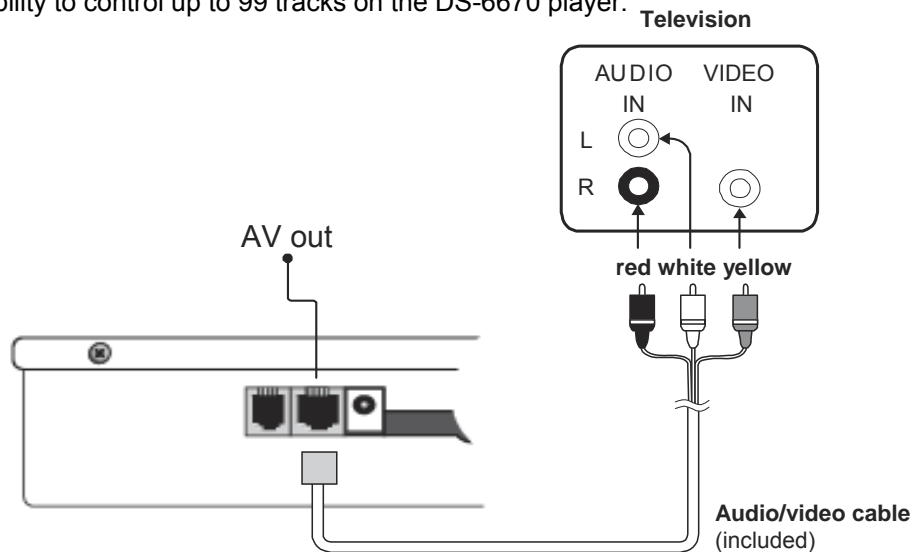
Step 2. Insert Hi-Speed CompactFlash® Card into DS-6670

Caution: DO NOT plug in the power before the CompactFlash® Card is inserted into DS-6670 card slot. MedeaWiz recommends that the CompactFlash® Card to be inserted into the slot first, and then the power can be applied to the unit as described later.



Step 3. Connect your DS-6670 to other display device (optional)

Simply connect DS-6670 to any video display such as a PC monitor or TV with A/V inputs, and you can start watching the video clips stored on your CompactFlash® Card. You can control the track selection with the optional DV-66K Keypad Controller (DV-66K controls 8 tracks, with modification on the DV-66K you can control up to 99 tracks, or you can use the RS232 TTL control command), and it gives you the ability to control up to 99 tracks on the DS-6670 player.



Note: Normally the A/V inputs are located in the back of a TV or VCR. For more instructions on how to use A/V input on your displaying device, refer to the manual for that display device.

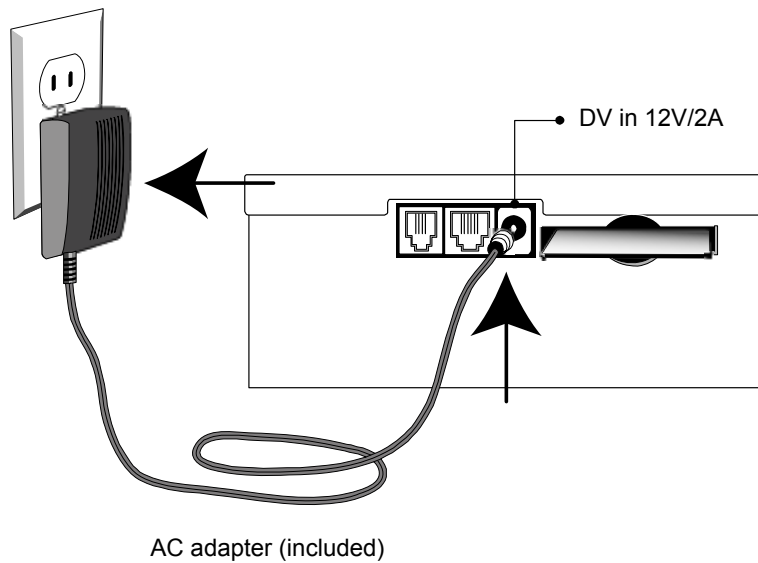
Step 4. Turn on the display device (optional)

Turn on the display device and change the channel to the corresponding A/V input channel if necessary. Please see the manual of your display device for further instruction.

Step 5. Plug in the power

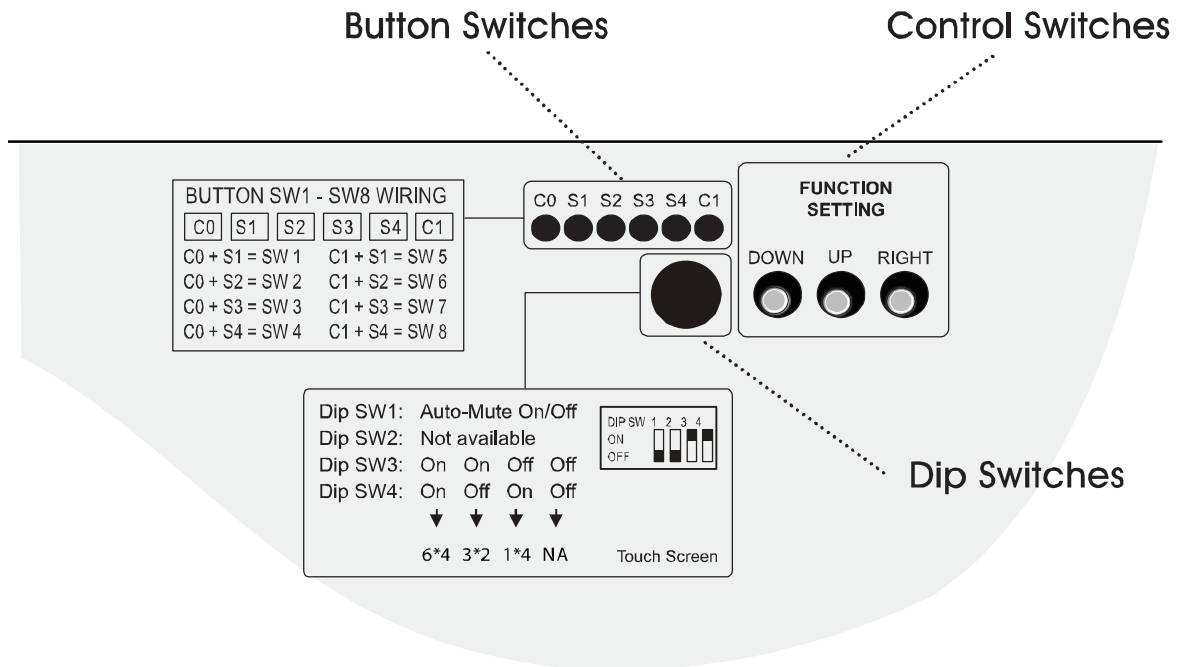
You are one step away from playing your media files on DS-6670! Just plug in the included power adapter and the DS-6670 will automatically start playing the first video clip on the *CompactFlash®* Card!

Note: Make sure that you have inserted the CompactFlash® Card correctly, and its content meets DV-66's specifications.



3. USING YOUR DS-6670

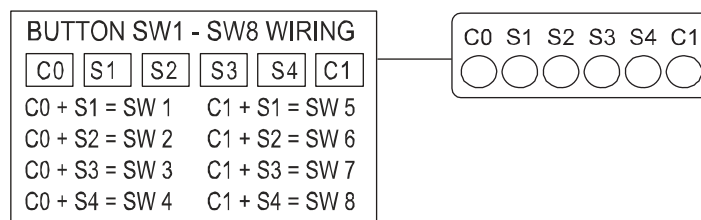
3.1 Control panel outlook



BUTTON SWITCHES

With the button switches, you can have an external set of buttons or control pad.

Note: only 8 tracks are supported in the mode.



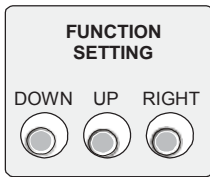
Wires are fed through the holes located on top of the metal housing.



Fixing the wires by fasten the screws on the wiring socket.

CONTROL SWITCHES

The control buttons control **volume, brightness, contrast, color, sharpness, H-position**, etc.



RIGHT – Press once to see the available brightness selection then keep on press for other selection.

UP & DOWN – Press to increase or decrease the property parameter or go to the desire setting options.

DIP SWITCHES

With the DIP switches, you can control “Auto-mute On/Off,” and configure the touch screen to have 4, 6, or 24 tracks.

Note:

Auto-mute will disable sound after 5 minutes of inactivity. It is only available for DS-6670T, not for DS-6670. When Auto-Mute is activated, it can only be released with the selection by pressing touch screen.

Note:

The default setting is SW1 & SW2 off, SW3 & SW4 On.

Dip SW1:	Auto-Mute On/Off	
Dip SW2:	Not available	
Dip SW3:	On On Off Off	
Dip SW4:	On Off On Off	
	↓ ↓ ↓ ↓	
	Touch Screen: 4x6 2x3 4x1 NA	

Touch screen matrix definition for 4x6, 2x3, and 4x1 after calibration

1. Touch screen SW type: 4x6

	<u>X1</u>	<u>X2</u>	<u>X3</u>	<u>X4</u>	<u>X5</u>	<u>X6</u>
<u>Y1</u>	SW1	SW2	SW3	SW4	SW5	SW6
<u>Y2</u>	SW7	SW8	SW9	SW10	SW11	SW12
<u>Y3</u>	SW13	SW14	SW15	SW16	SW17	SW18
<u>Y4</u>	SW19	SW20	SW21	SW22	SW23	SW24

2. Touch screen SW type: 2x3

	<u>X1</u>	<u>X2</u>	<u>X3</u>	<u>X4</u>	<u>X5</u>	<u>X6</u>
<u>Y1</u>	SW1	SW1	SW2	SW2	SW3	SW3
<u>Y2</u>	SW1	SW1	SW2	SW2	SW3	SW3
<u>Y3</u>	SW4	SW4	SW5	SW5	SW6	SW6
<u>Y4</u>	SW4	SW4	SW5	SW5	SW6	SW6

3. Touch screen SW type: 4x1

	<u>X1</u>	<u>X2</u>	<u>X3</u>	<u>X4</u>	<u>X5</u>	<u>X6</u>
<u>Y1</u>	SW1	SW1	SW1	SW1	SW1	SW1
<u>Y2</u>	SW2	SW2	SW2	SW2	SW2	SW2
<u>Y3</u>	SW3	SW3	SW3	SW3	SW3	SW3
<u>Y4</u>	SW4	SW4	SW4	SW4	SW4	SW4

3.2 Using the controls

After turn on DS-6670, you can start controlling its various options by following the steps below.

Step 1.

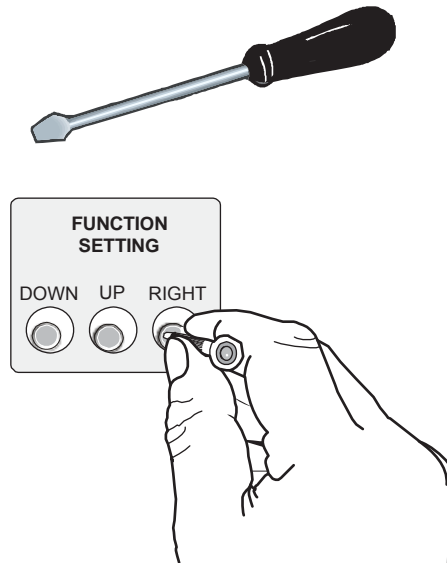
You will need a small screwdriver or any similar type of tool to reach the controls of DS-6670.

Note: A tool is not included in the DS-6670 package. A small screwdriver like the one shown in the picture will do.

Step 2.

Determine which control you like to configure, see [Control Switches](#) in page 6.

CAUTION: The button only requires a light touch. Do not press too hard on the button. MedeaWiz is not responsible for any damages caused by the abuse.



Step 3.

After pressing the “RIGHT” button, a menu will appear on the LCD display against whatever video image is playing at the time. Keep on press the “RIGHT” button for contrast, color, sharpness, H-position, and reset.

Note: Use “UP” button for volume menu.



Step 4.

When an option is selected, use the “UP” and “DOWN” buttons to change the properties of each option.

Step 5.

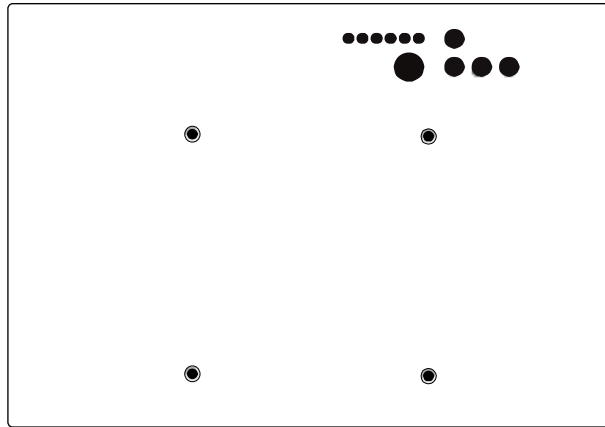
When the changes are completed, release the button and menu will automatically exit.

CAUTION: Any changes will not be saved if power is turned off before the menu is properly exited.
CAUTION: Use carefully when making any setting changes, MedeaWiz is not responsible for any damages that you made during the operations described in this chapter.

3.3 Mounting mechanism

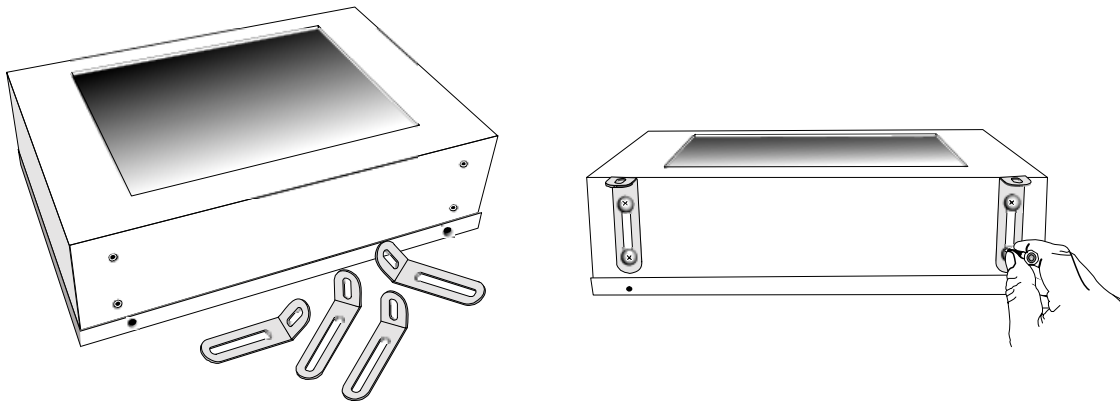
Mechanism 1.

Four M4 nuts (pitch 75x75mm) mounted can be found on the back of DS-6670 housing to fit standard LCD mounting bracket for rear mounting.



Mechanism 2.

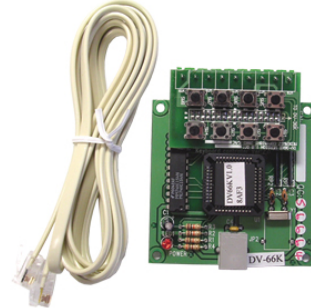
Four mounting plates (included) allow front mounting to fit all kiosk cases.



4. INTRODUCING DS-6670 ACCESSORIES (OPTIONAL)

4.1 DV-66K, Keypad Controller

The required interface for connecting and controlling the DS-6670 player with an external input device, such as push buttons. There are eight buttons per controller. 4800 baud rate.



4.2 DV-66U, Universal Controller

The required interface for connecting the DS-6670 player with an analog touch screen. There are eight switch buttons per controller. 4800 baud rate.

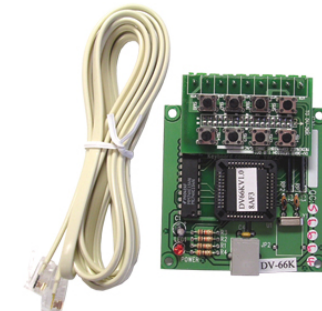
CAUTION: Analog touch screen used with DV-66U is subject to any dimension of the standard 4-wire resistive type touch screen; it is different with the matrix type touch screen built in the DV-66104 unit



4.3 DV-66F, Function Selector

The function selector provides the custom options available on the DS-6670 (4800 baud rate), which include:

- OSD - on or off
- Repeat or Menu mode
- VGA or Composite video output
- Volume - up and down



4.4 PIR Sensor Module

Motion sensors, used to detect moving objects

- An extremely compact passive infrared (PIR) movement detector which has a wide variety of applications.
- 3 leads for easy connection (default cable length is 30cm)
- The output is a logic signal that pulses high when movement is detected and is otherwise low.
- The PIR sensor module connected directly to DV-66B.
- Small size: 25 x 35 mm
- High Sensitivity-can sense distance up to 5 meters
- Power up delay to prevent false triggering
- Adjustable cable length to fit your need.



4.5 RS-232C Interface Cable

RS-232C interface cable is intended to provide electrical connection between a computer and the DV-66 series devices connected to its keypad port.

- Ease to setup for DV-66 series devices with RS-232C port and use.
- Send ASCII command to DV-66 series devices for controlling.
- Point-to-point connections make it much easier to plug and play.
- Easy to configure many different ready-to-use functions
- Commands list available upon request
- Test software available upon request



5. TOUCH SCREEN SPECIFICATIONS

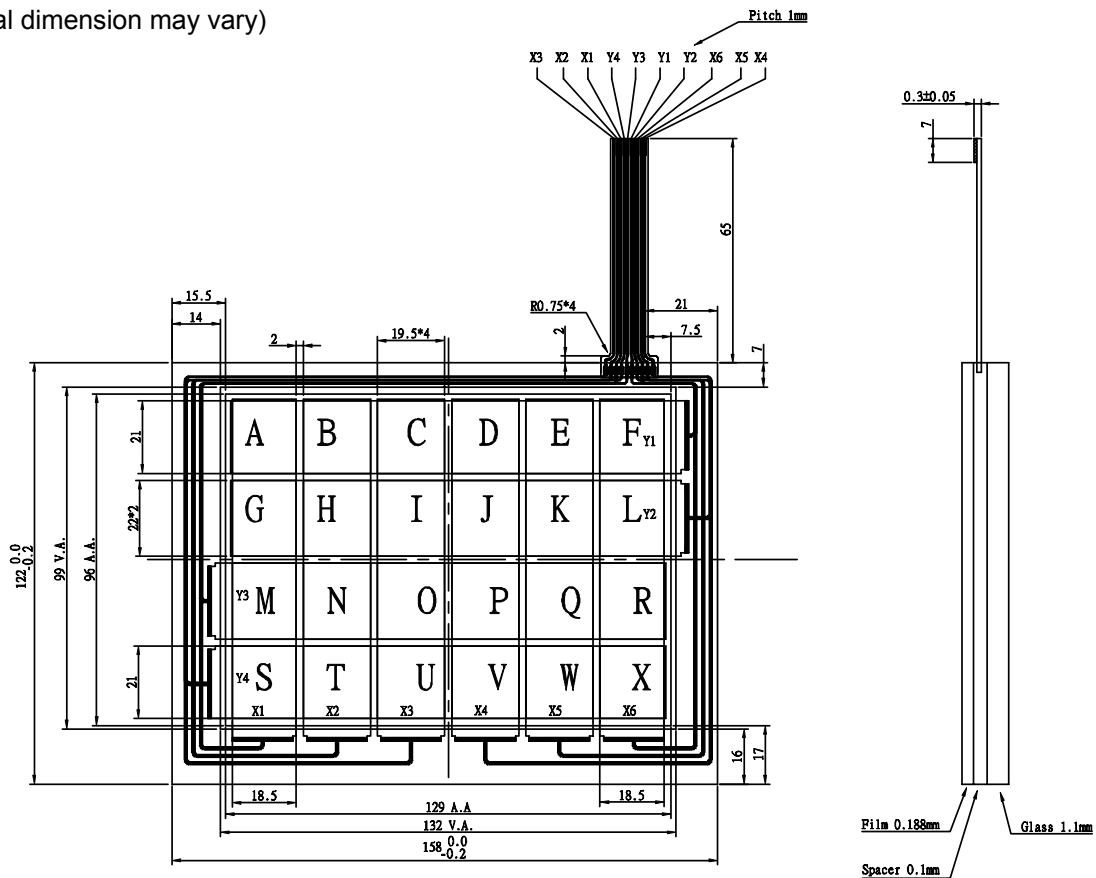
For DS-6670T (DS-6670 unit with built-in touchscreen)

ITO Film	280Ω/SQ, Anti-Glare, 0.188mm thickness
ITO Glass	110Ω/SQ, 1.1mm thickness
Tail	FPC
Operating Resistance	≤ 5k ohm
Insulating Resistance	≥ 20M ohm
Transparency	> 70%
Hardness	≤ 3H, ITO film
Voltage	DC 0 ~ 5 V, 30mA
FPC Peeling Strength	≤ 700 gram
Actuation Force	> 20 gram
Life	≥1000000 times
Operating Temperature	32°F ~ 140°F, 50±30R. H
Storage Temperature	-4°F ~ 158°F, 50±30R. H

Pin Assignment

Pin	X1	X2	X3	X4	X5	X6
Y1	A	B	C	D	E	F
Y2	G	H	I	J	K	L
Y3	M	N	O	P	Q	R
Y4	S	T	U	V	W	X

(actual dimension may vary)




Thick : 1.38±0.05mm

6. DS-6670 SPECIFICATIONS

System Type	Digital Audio/Video playback
Format	MPEG-1 (VCD), MPEG-2 (DVD), VOB, JPEG, MP3
Dimension	W/housing: 7.50"(L) x 5.25"(W) x 2.125"(H); Screen size: 6 1/8"(L) X 3.5"(W)
Power Consumption	12.5 Watts
Power Supply	Universal Switching Power Supply Input AC 100/240V, Output DC 12V/2A
Operating Current	1.04Amps @ 12V
Operating Voltage	12 VDC
Video Output	NTSC/PAL and A/V
Audio Output	Stereo (line level)
Storage Format	High Speed CompactFlash® Card (min. 40X or up) Transfer speed calculation: 1X=150KB/sec, 40X=6.0MB/sec
Storage Capacity	128MB up to 2.2GB CompactFlash® and MicroDrive
	MP3 bit rate vary from 8kbit/sec to 320kbit/sec
MP3 Est. Avg. Playback CBR @ 128kbit/sec	256MB CF holds 273 minutes/ 4.55 hrs 512MB CF holds 546 minutes/ 9.1 hrs 1GB CF holds 1066 minutes/ 17.76 hrs. 2.2GB CF holds 2346 minutes/ 39.1 hrs.
	MPEG-1 bit rate vary from 1.15Mbit/sec to 3Mbit/sec
MPEG-1 Est. Avg. Playback CBR @ 1.35Mbit/sec	256MB CF holds 25 minutes 512MB CF holds 50 minutes 1GB CF holds 98 minutes/ 1.63 hrs. 2.2GB CF holds 217 minutes/ 3.62 hrs
	MPEG-2 bit rate may vary and/or depend on the speed of the CF card. For maximum bit rate, please refer to our FAQ.
MPEG-2 Est. Avg. Playback CBR @ 4Mbit/sec	256MB CF holds 8.5 minutes 512MB CF holds 17 minutes 1GB CF holds 33 minutes 2.2GB CF holds 73 minutes

Note: We recommend MPEG-2 maximum CBR=5MBPS and VBR=4.5MBPS/peak 5.1MBPS

(*) RS-232 TTL command control is required to have a RS-232 cable to connect between the computer and the DV6670/T unit, please check with our company for availability.

<p>The information in this document is subject to change without notice.</p> <p>For more information about DS-6670 or its optional accessories, please visit our website at http://www.medeawiz.com/ Or e-mail us at support@medeawiz.com</p> <p>Copyright©2004 MedeaWiz Corporation. All rights reserved.</p>	
	<p>933 Canada Ct., Industry, CA 91748 (USA) Tel: 626-839-1488 • Fax: 626-839-7038 www.medeawiz.com</p>